

Foot Valves

Models 63, 357 & 302BT



- Several different models
- Size range 3/8" through 24"
- Wide material selection range.
- Lower friction losses.

Foot Valve Operation:

We offer a wide range of foot valves in a size range from 3/8" through 36" in several different materials. Foot valves, Model 63, 302BT and 357 are designed to be installed on the suction side of a pump. The purpose of a foot valve is to maintain pump prime between pumping cycles. A strainer prevents debris from entering the piping system. Foot valves are designed to minimize headloss and optimize pumping efficiency.

Foot Valve Applications:

Foot valves are usually installed and positioned at the lowest point of the intake (suction) piping, below the water level, and often near the bottom of lakes, rivers storage tanks and pits.

- Municipal Water Treatment
- Rural Fire Protection
- Irrigation
- Industrial
- HVAC
- Car Wash Systems

Foot Valve Model 63

Economical foot valve designed for use in irrigation, water systems and other industrial pumping applications. This foot valve offers spring load closing and can be installed in any direction. The foot valve has extremely low headloss. The valve has female NPT threaded connection for easy installation.



Valve Sizes and Weights

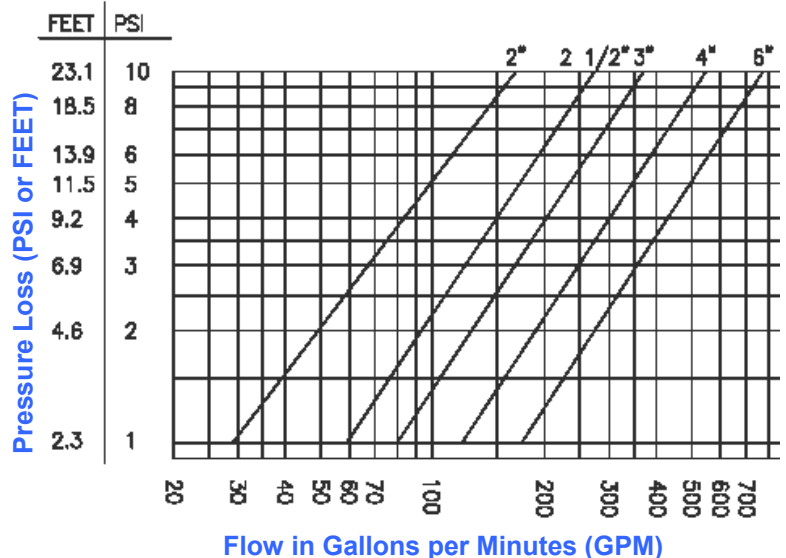
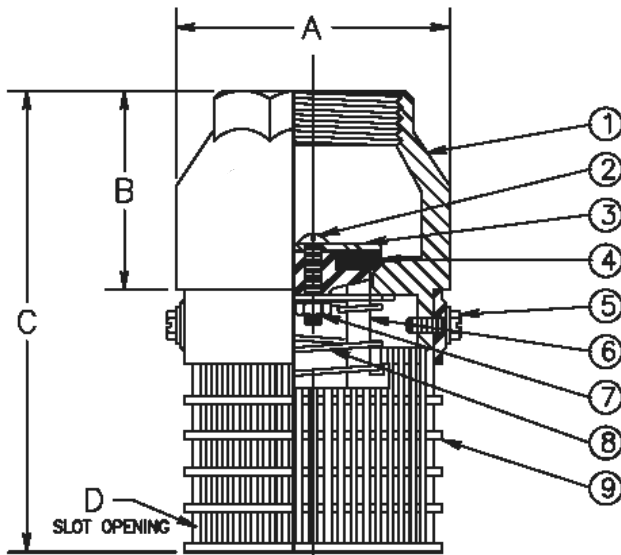
Size	Part No.	"A" Width	"B" Body	"C" Height	Weight (Lbs.)
2"	4764	3 13/32"	2 19/32"	6 1/16"	4
2 1/2"	4765	4 11/32"	2 3/4"	6 15/16"	5
3"	4766	5 1/4"	3 3/4"	9 9/64"	9
4"	4767	6 3/8"	4 21/32"	11 13/32"	17
6" *	4689	8"	7 21/32"	18 1/4"	63

*Note: 6" Models has a different body style, see product spec sheet for details.

Material of Construction

1	Body (Epoxy Coated)	Cast Iron - ASTM A-216
2	Hex Bolt	Stainless Steel - ASTM 18-8
3	Flat Washer	Stainless Steel - ASTM 18-8
4	Rubber Disc	Buna - N
5	Type F Screw	Plated Steel
6	Follower **(Epoxy Coated)	Ductile Iron ASTM 60-40-18
7	Hex Nut	Stainless Steel ASTM 18-8
8	Spring	Stainless Steel ASTM 302
9	Screen	Polyethylene

**Note: 2" size Delrin® and 2 1/2" size Unleaded Bronze



Foot Valve Model 302BT

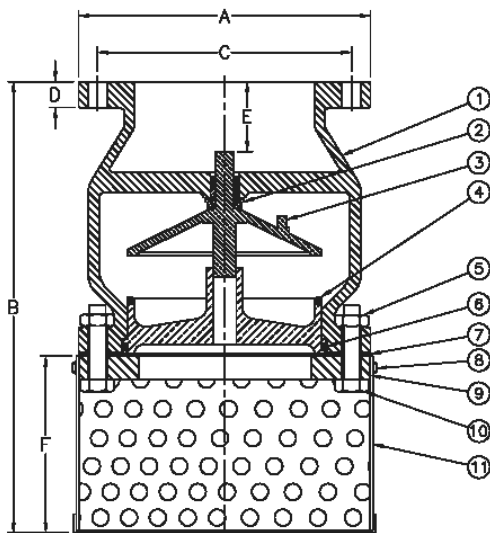
Designed specifically for municipal and industrial pumping applications where a heavy duty, extremely reliable valve may be required. This top quality foot valve offers field replaceable seat ring and has extremely low headloss. The foot valve has flanged connection ANSI 125.



Simple and reliable construction

Valve Sizes and Weights

Size	Part No.	"A" Width	"B" Height	Weight (Lbs.)
2"	4763BT	6"	8 21/64"	23
2 1/2"	4768BT	7"	8 19/32"	30
3"	4769BT	7 1/2"	9 9/64"	37
4"	4770BT	9"	10 3/8"	63
5"	4771BT	10"	12 5/8"	80
6"	4772BT	11"	15 7/8"	100
8"	4774BT	13 1/2"	20 3/4"	160
10"	4775BT	16"	25 5/8"	260
12"	5416BT	19 1/2"	26 17/32"	410
14"	5417BT	22"	27 7/8"	500
16"	5418BT	25"	33 3/4"	650
18"	5419BT	28"	36 7/8"	850
20"	5420BT	31"	40 3/4"	1050
24"	5422BT	37"	48 1/8"	1440

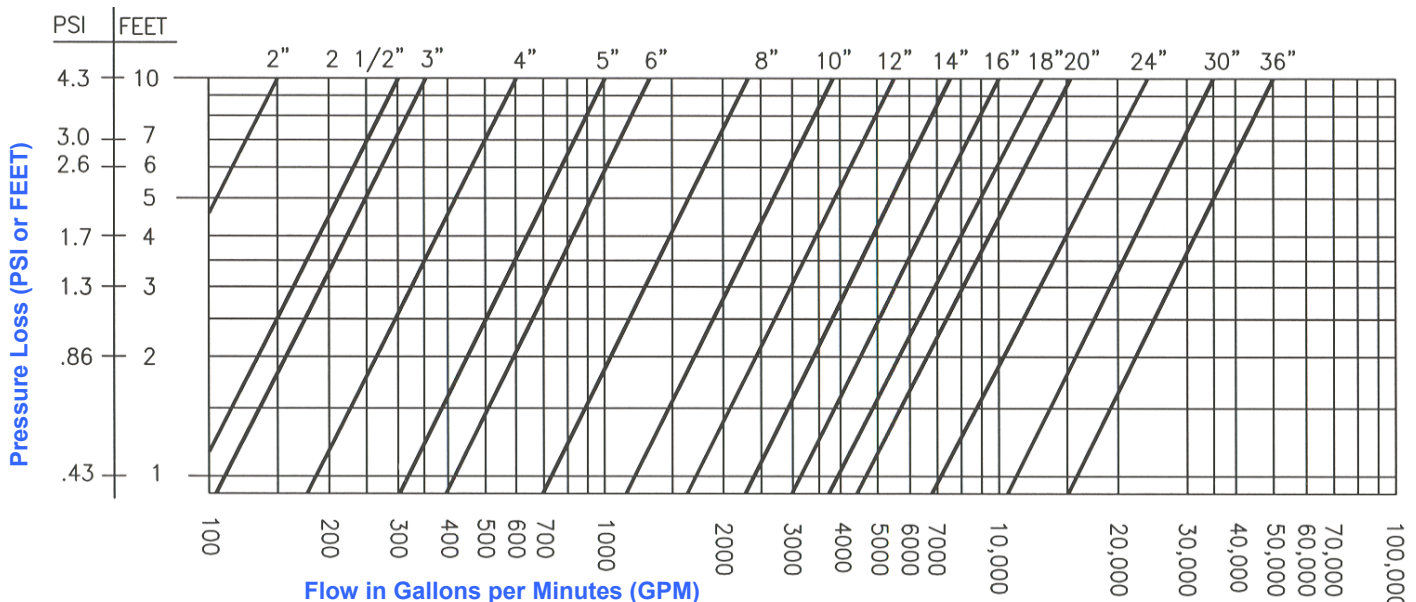


Material of Construction

1	Valve Body (Epoxy Coated)	Cast Iron – Class 30
2	Bushing	Bronze UNS C93200
3	Poppet	Bronze C83600
4	Seat ring	Bronze C83600
5	Hex nut	Zinc plated steel
6	O-Ring	Buna-N
7	Gasket	Vellumoid
8	Button head socket screw	Stainless Steel 304
9	Flange	Cast Iron – Class 30
10	Hex head bolt	Zinc plated steel
11	Strainer Basket	Stainless Steel 304

Request product specifications sheet for additional dimensions and data.

Covered by Patent No. 6,024,121



Foot Valve Model 357

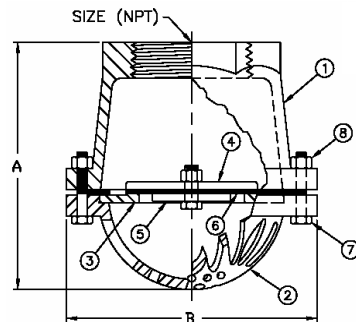
Designed for use in irrigation and other pumping applications where water may be dirty due to suspended silt and sand. This foot valve offers extremely low headloss. Female NPT threads for easy installation.



Valve Sizes and Weights

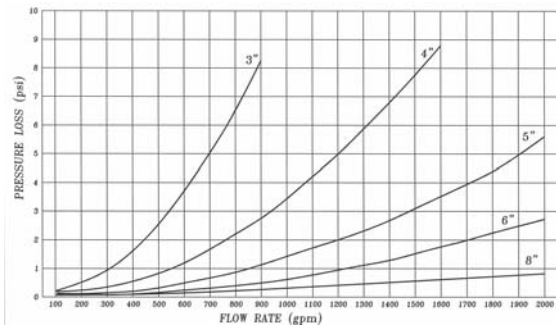
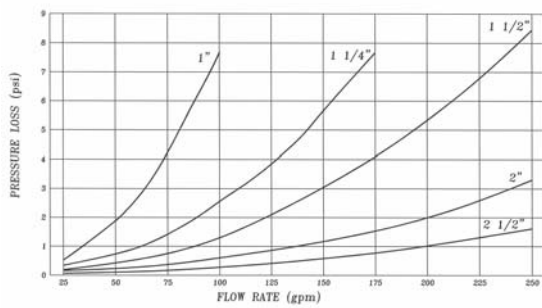
Size	Part No.	"A" Height	"B" Width	Weight (Lbs.)
1"	4961	3 5/8"	4"	2
1 1/4"	4962	4 1/8"	4 7/8"	3
1 1/2"	4963	4 1/8"	4 7/8"	3
2"	4964	5 1/8"	5 7/8"	6
2 1/2"	4965	7 1/8"	7 1/2"	13
3"	4966	7 1/8"	7 1/2"	13
4"	4967	9"	9"	20
5"	4968	10 1/2"	10 3/8"	28
6"	4969	12"	11 3/8"	45
8"	4970	15 11/16"	15 1/8"	99

Simple and reliable construction



Material of Construction

- | | | |
|---|-------------------------|-----------------------|
| 1 | Body (Epoxy Coated) | Cast Iron - ASTM A-48 |
| 2 | Strainer (Epoxy Coated) | Cast Iron - ASTM A-48 |
| 3 | Seat | Cast Iron - ASTM A-48 |
| 4 | Weight | Cast Iron - ASTM A-48 |
| 5 | Weight | Cast Iron - ASTM A-48 |
| 6 | Seal | Leather |
| 7 | Bolt | Zinc Plated |
| 8 | Nut | Zinc Plated |



Other Flomatic Foot Valves



Model 812XTF
All 316 stainless steel
Threaded connection.
Metal to metal seating a ring.
Teflon O-Ring seal.
Size range: 1/2" - 8"



Model 812XFF
All 316 stainless steel construction,
Threaded connection
Metal to metal seating and Teflon O-ring; 1/2" - 8"



Model 80S6F
All 316 stainless steel construction,
Threaded connection
Stainless steel poppet with VITON seating.
Size range: 1" - 8"



Model 60SE
Unleaded body with threaded female NPT connection.
Feature a Nitrile seat (Buna N)
Size range: 1/2"-4"



Model 190D
Acetal body and strainer Nylon Poppet with Nitrile Seat (Buna N)
Size range: 3/8" - 2"



Model 104PS
Features rugged high-Strength Noryl valve Body with tapered Stainless steel Nitrile (Buna N) seal.
Size range: 1" & 1 1/4"



KASKO DEMİRÇELİK MAKİNE VE İNŞAAT SANAYİ TİCARET LİMİTED ŞİRKETİ

**Güzelyurt Mah. Mehmet Akif Ersoy Cad. No: 38 Gökdemir Plaza Kat: 3 Ofis: 24 Zip Code:
34524 Esenyurt / İSTANBUL**

Tel: +90 850 441 25 67

Cell: +90 541 699 01 34

info@kaskomakine.com

kaskomakine.com