

Float Valves

Float Valves for Installation in Tanks NV 12, 12P

Standard Feed Valve of Cast Steel

Technical Data

Connection DN	20 - 150
Nominal Pressure PN	16
Operating Pressure	0 - 8 bar
K_{vs} -Value	2.8 - 195 m ³ /h
Temperature	110 °C
Medium	liquids

Description

Float valves automatically control liquid levels in sealed or open (non-pressurised) tanks and vessels without requiring external energy. The float registers the liquid level and directly controls the valve via a lever. A change in the liquid level immediately results in a changed flow volume.

The NV 12 and NV 12 P float valves are standard inlet (feed) valves for installation in tanks; they are made of cast iron. The valve cone is fitted with a soft seal.

NV 12P is fitted with a parallel guide which prevents float oscillation if a float bar guide is not fitted in the tank.

The following note applies to float valves fitted with float bars: If the liquid level is below the float bar i.e. if the float points downwards, a guide for the float bar should be installed.

Standard

- » Ball or cylindrical float (see overleaf)
- » NV 12P with parallel guide

Options

- » Various seal materials suitable for your medium
- » Special versions on request

Please state working pressure range when enquiring or ordering.

Operating instructions, know how and safety instructions must be observed. All the pressure has always been indicated as overpressure. We reserve the right to alter technical specifications without notice.



illustration shows NV 12P

K_{vs} -Values [m³/h]

nom. diam. DN	20	40	50	65	80	100	125	150
K_{vs} -value m ³ /h	2.8	9.5	12	25	44	70	110	195

Pressure Ranges [bar]

0 - 2	0 - 4	0 - 8
-------	-------	-------

Float Valves

Float Valves for Installation in Tanks NV 12, 12P

Standard Feed Valve of Cast Steel



Materials	
Body	DN 20 grey cast iron, from DN 40 spheroidal cast iron
Cone	CrNiMo-steel
Cone Guide	grey cast iron
Seat	grey cast iron
Valve Seal	EPDM
Float Rod	CrNiMo-steel
Float	CrNiMo-steel

Dimensions [mm]								
size	nominal diameter DN							
	20	40	50	65	80	100	125	150
A	350	455	470	610	710	875	1160	1350
B	68	88	95	104	113	135	165	180
C	100	125	140	170	180	225	310	350
E	30	40	50	50	60	60	100	100
F	55	80	80	80	100	100	100	100
G	5°	5°	10°	10°	10°	20°	20°	20°

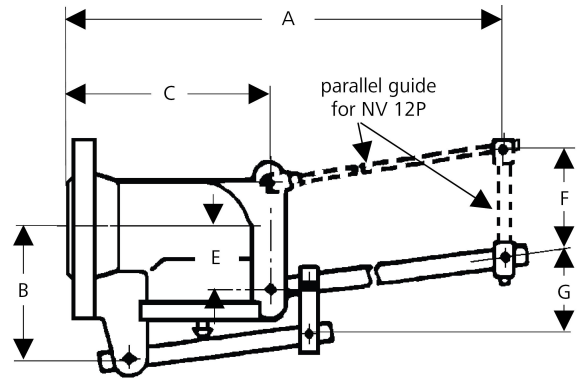
Weights without float [kg]								
nominal diameter DN								
20	40	50	65	80	100	125	150	
1,8	5	7	9	11	18	27	35	

Float Dimensions								
pressure range bar	nominal diameter DN							
	20	40	50	65	80	100	125	150
type	ball float SC 3 ø [mm]*							
0 - 2	160							
0 - 4	160							
type	cylindrical float SC 8 ø = height in mm							
0 - 2	-	200	200	200	240	240	280	305
0 - 4	-	200	200	240	240	280	305	340
0 - 8	200	200	240	280	280	340	380	420

Customs Tariff Number
84818059

Special designs on request.
The pressure has always been indicated as overpressure.
Mankenberg reserves the right to alter or improve the designs or specifications of the products described herein without notice.

Dimensional Drawing





KASKO DEMİRÇELİK MAKİNE VE İNŞAAT SANAYİ TİCARET LİMİTED ŞİRKETİ

**Güzelyurt Mah. Mehmet Akif Ersoy Cad. No: 38 Gökdemir Plaza Kat: 3 Ofis: 24 Zip Code:
34524 Esenyurt / İSTANBUL**

Tel: +90 850 441 25 67

Cell: +90 541 699 01 34

info@kaskomakine.com

kaskomakine.com